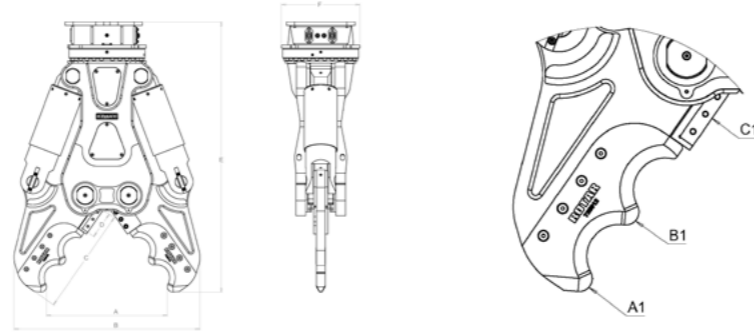


# Specifications



Ingenious, reliable, service-friendly and maximal productivity.  
That is the power of Rotar!

Type RCC	20	25	30	45
<b>Information</b>				
Machine class (t)	18 - 25	20 - 30	25 - 35	38 - 55
Weight (kg)*	1950	2490	2850	4500
Closing force at position A1 (t)	92	96	120	158
Closing force at position B1 (t)	139	141	176	229
Closing force at position C1 (t)	565	640	800	1422
<b>Dimensions</b>				
Dimension A (mm)	905	1020	1115	1400
Dimension B (mm)	1570	1643	1710	2100
Dimension C (mm)	880	960	960	1150
Dimension D (mm)	250	250	250	350
Dimension E (mm)	2230	2406	2474	2850
Dimension F (mm)	650	720	720	900
<b>Attachment</b>				
Rotar Hole-pattern	140 - 150	140 - 150	140 - 150	150
<b>Hydraulic</b>				
Max. operating pressure cylinder (bar)	350	350	350	350
Oil volume cylinder (L/min)	150 - 200	200 - 250	200 - 250	250 - 400
Max. operating pressure motor (bar)	170	170	170	170
Oil volume motor (L/min)	40	40	40	40

\* Weight exclusive adapterplate with bracket.

\*\* Figures given for cycle times and cutting forces are indications only. External factors such as excavator setting, hydraulic infrastructure, quickcouplers and fittings may influence performance.

\*\*\* Technical specifications are subject to change without prior notice.



## RCC-serie

### Rotar International BV

Address Sisalstraat 85, 8281 JK Genemuiden (NL)

Tel. +31(0) 38 385 54 71

Fax +31(0) 38 385 54 02

E-mail info@rotar.com

Website www.rotar.com

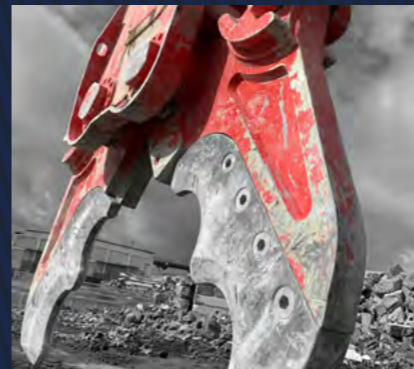
# RCC

## Rotar RCC Concrete Cutter

Extreme powerful heavy industrial concrete cutter. Despite his enormous power, the Rotar Concrete Cutter has short cycle times. With this unique combination, the RCC is a real game changer!

### Replaceable cutting teeth

The RCC is fitted with replaceable cutting teeth. Easy to maintain, easy to replace. An unique feature for these tools. This means less downtime and no welding on the basic construction. The wear-resistant casted cutting teeth offer full protection of the cutting jaws.



### Powered by RAMPLIFIER®

The RCC is equipped with two hydraulic cylinders with an integrated RAMPLIFIER®. Once the RCC is facing heavy resistance, the RAMPLIFIER® is activated and doubles the pressure up to 700 bar in a split of a second. This new RAMPLIFIER® technology is a Rotar in-house designed technology.



### Construction & hydraulics

The RCC is constructed from high-grade performance steel. The large diameter of hoses, bores, and pipes reduces the back pressure in the hydraulic system and contributes to the extraordinary features of this RCC. The long bearing pivot points support combined loads from all directions.



GET THE  
RED  
CRUSH!